

PAYA

dış ticaret

PAYA DIŐ TİCARET LTD. ŐTİ

www.payadisticaret.com | info@payadisticaret.com

+90216 504 69 56



PAYA Dış Ticaret, bölge ülkeleri ile ihracat, ithalat ve ticaret alanında faaliyet göstermektedir.

Paya Dış Ticaret; tecrübe ve bilgi birikimi ile organizasyonel mükemmellik ve tam müşteri memnuniyeti için çaba sarf etmekte, doğrudan ve aracısız olarak ticari hizmetler sunmaktadır.

Paya Dış Ticaret bünyesinde üretilen gaz ve su vanaları, Hollanda gülleri ve Buggy araçları gibi ürünlerinin yurtdışı satışlarını gerçekleştirmekte ve yanı sıra yurtiçindeki pek çok üreticinin ürünlerini de dünya pazarlarıyla buluşturmaktadır.

Kalite politikamız gereği müşterilerimizin siparişlerinin ürün tedariklerini zamanında yerine getirmekte ve en kısa sürede teslim edilmesini sağlamak konusunda oldukça titiz davranmaktayız.

Sizin memnuniyetinizle işimizi daha iyi yapmaktayız.



PAYA Foreign Trade operates, imports and trades in the field of export with the region countries.

Paya Foreign Trade strives for organizational excellence and complete customer satisfaction with its experience and knowledge and offers commercial services directly and without intermediaries.

Paya Foreign Trade carries out the overseas sales of their products such as gas and water valves, Dutch roses and Buggy vehicles and also bring the products of many domestic manufacturers to the world markets.

We are Paya Foreign Trade very meticulous in fulfilling the product supplies of our customer's orders on time and ensuring that they delivered with the soonest as per our quality policy.

We do our job better with your pleasure.



Gas Ball Valve / Küresel Gaz Vanaları

3/4 inch

1/2 inch

3/8 inch



T-Handle















Lever Handle



Lever Handle
Full Bore

Gas Ball Valve / Küresel Gaz Vanaları

1 1/2 inch	1 1/4 inch	1 inch	
			Lever Handle
			Extended stem Lever Handle
			Lockable
			Lever Handle Full Bore

Gas Ball Valve / Küresel Gaz Vanaları

2 inch



Lever Handle

Water Ball Valve / Küresel Su Vanaları

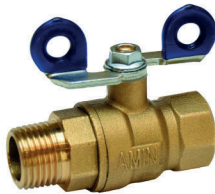
Male to Male 1/2 inch

Male to Female 1/2 inch

1/2 inch



Lever Handle



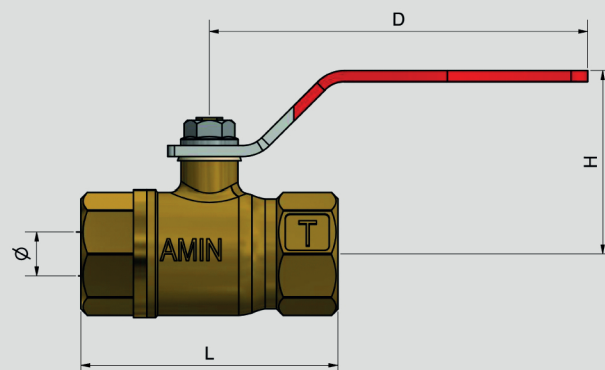
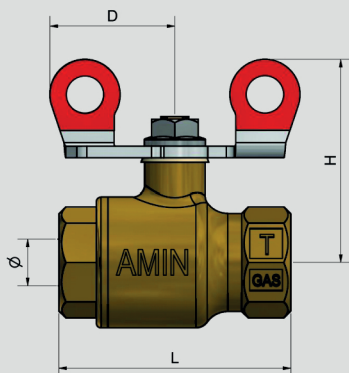
T-Handle

3/4 inch



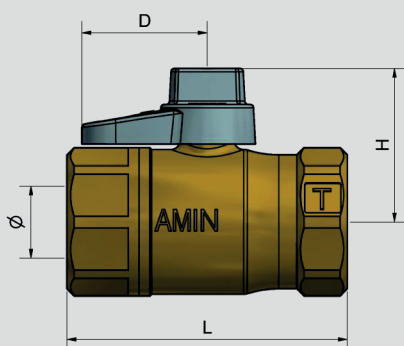
Lever Handle

Gas Ball Valve / Küresel Gaz Vanaları



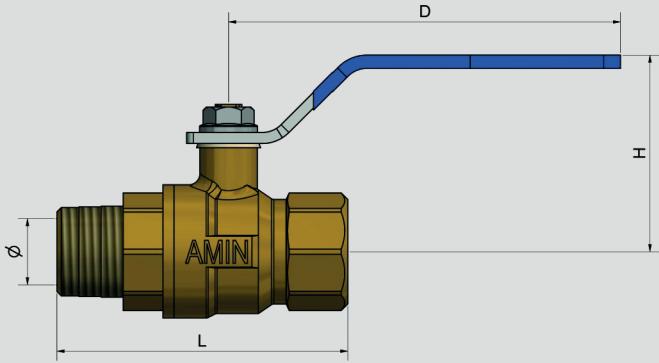
SIZE (Inch)	DIM (mm)	Ø	L	H	D	Q.IN BOX
3/8		11.5	49.6	43.3	26.7	50(5X10)
1/2		11.5	58,6	43.1	30	50(5X10)
1/2 F		15	64	45.6	30	40(5X8)
3/4		15	64	45.6	30	40(5X8)
1		20	77.8	56.4	35	25(5X5)

SIZE (Inch)	DIM (mm)	Ø	L	H	D	Q.IN BOX
3/8		11.5	49.6	41.8	86	50(5X10)
1/2		11.5	58,6	41.5	86	50(5X10)
1/2 F		15	64	44	86	40(5X8)
3/4		15	64	44	86	40(5X8)
3/4 F		20	69.8	49.8	90.8	25(5X5)
1		20	78	49.8	90.8	25(5X5)
1 E		20	79	100,3	101	15(3X5)
1 F		25	84	56.3	90.8	20(4X5)
1 1/4		25	82.6	56.8	117.1	16(4X4)
1 1/2		32	94	63,6	132.1	10(2X5)
2		40	115,6	74,8	141.2	8(2X4)

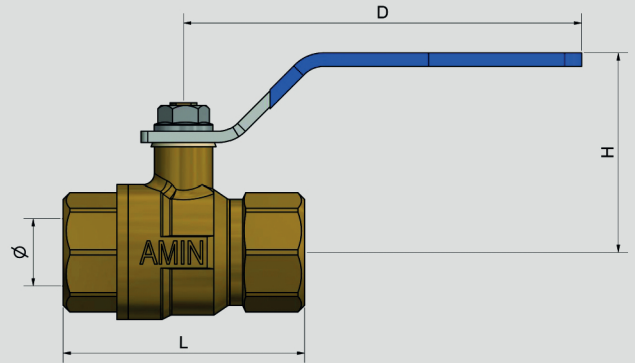


SIZE (Inch)	DIM (mm)	Ø	L	H	D	Q.IN BOX
1 L		20	78	42.5	35	25(5X5)
1 1/2 L		32	94	58	42,8	10(2X5)

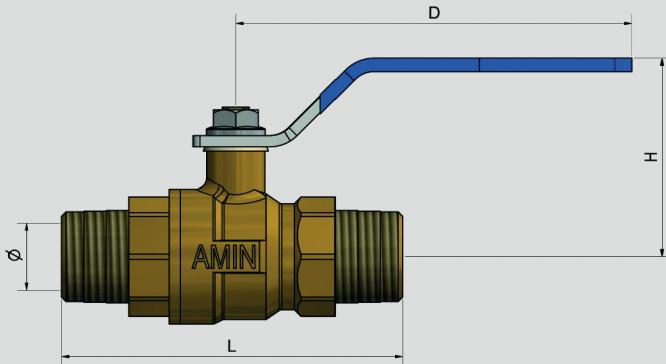
Water Ball Valve / Küresel Su Vanaları



SIZE (Inch)	DIM (mm)	Ø	L	H	D	Q.IN BOX
1/2 WT		15	65,7	43,9	86	50(5X10)

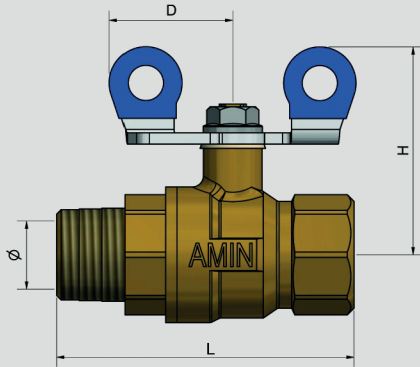


SIZE (Inch)	DIM (mm)	Ø	L	H	D	Q.IN BOX
1/2 W		15	53.7	43,9	86	50(5X10)
3/4 W		20	63.8	49.8	90.8	40(5X8)

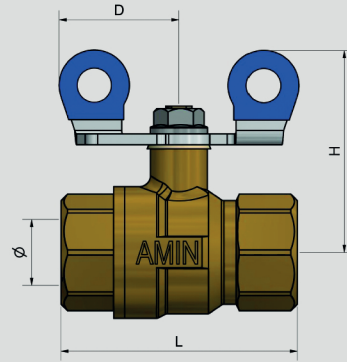


SIZE (Inch)	DIM (mm)	Ø	L	H	D	Q.IN BOX
1/2 WT2		15	75,9	43,9	86	50(5X10)

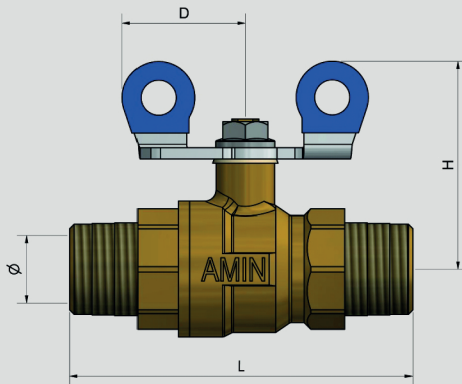
Water Ball Valve / Küresel Su Vanaları



SIZE (Inch)	DIM (mm)	Ø	L	H	D	Q.IN BOX
1/2 WT		15	65,7	45.4	26.7	50(5X10)

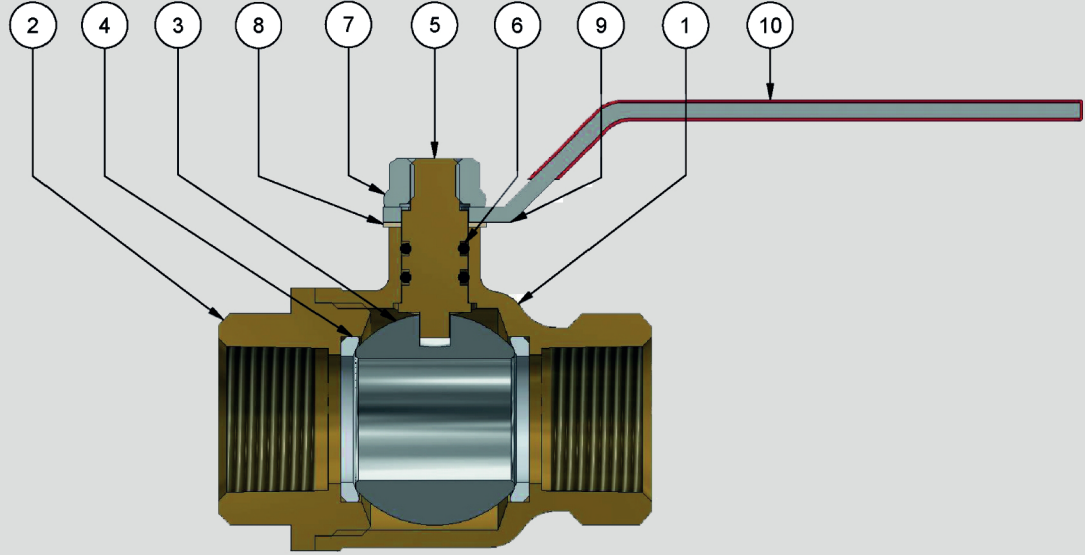


SIZE (Inch)	DIM (mm)	Ø	L	H	D	Q.IN BOX
1/2 W		15	53.7	45.4	26.7	50(5X10)
3/4 W		20	63.8	56.4	35	40(5X8)



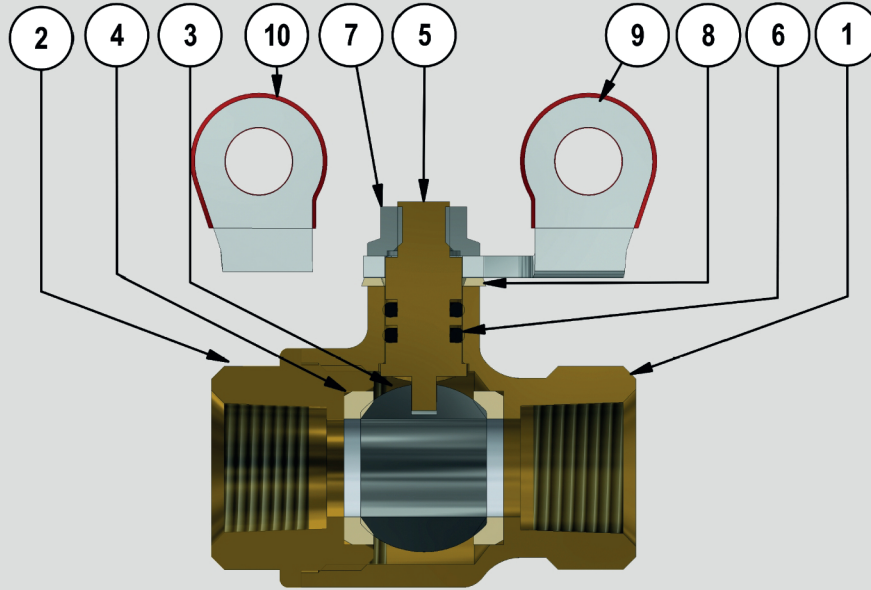
SIZE (Inch)	DIM (mm)	Ø	L	H	D	Q.IN BOX
1/2 WT2		15	75,9	45.4	26.7	50(5X10)

Gas Ball Valve / Küresel Gaz Vanaları



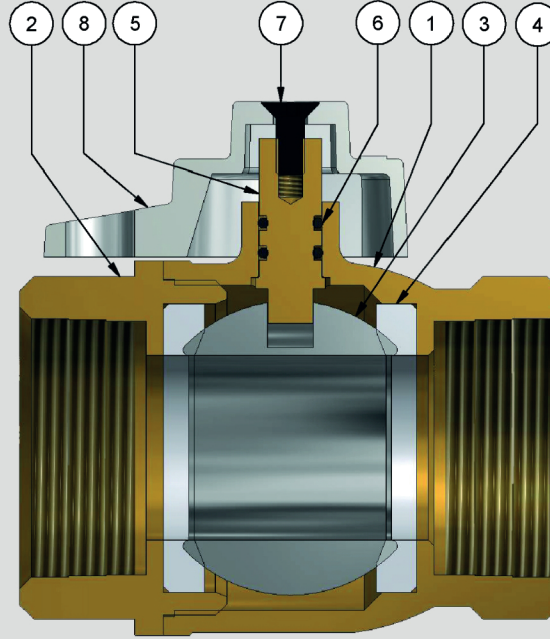
PARTS LIST					
ITEM	QTY	PART NAME		MATERIAL	
1	1	Body	Gövde	Brass	
2	1	Body cap	Gövde Kapağı	Brass	
3	1	Ball		Brass (Nickel-chrome plated)	
4	2	Ball seat		PTFE	
5	1	Stem		Brass	
6	2	O-ring		NBR	
7	1	Nut		Galvanized steel	
8	1	Thrust washer		Polyethylene	
9	1	Handle		Galvanized steel	
10	1	Handle's cover		PVC	

Gas Ball Valve T-Handle / Küresel Gaz Vanaları



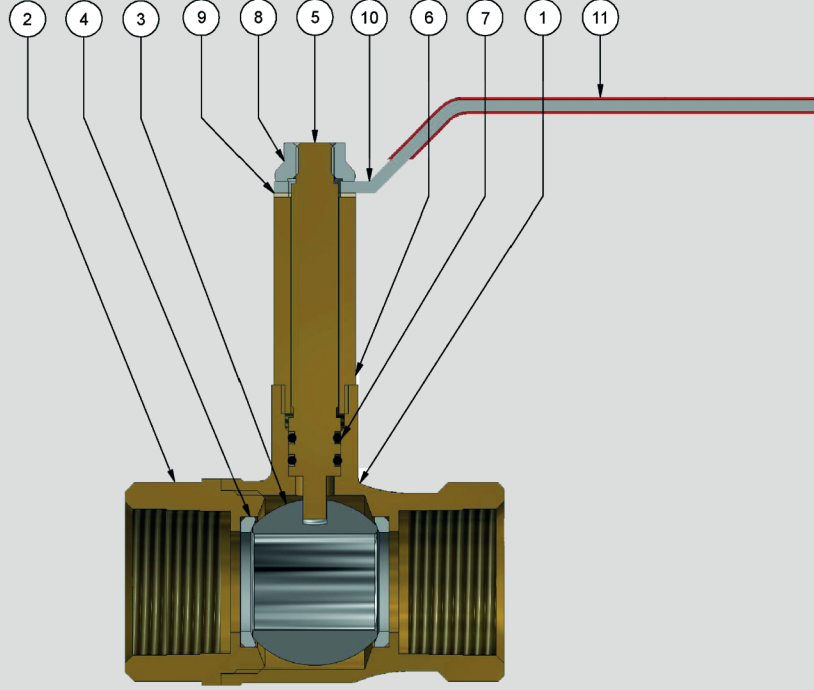
PARTS LIST					
ITEM	QTY	PART NAME		MATERIAL	
1	1	Body		Brass	
2	1	Body cap		Brass	
3	1	Ball		Brass (Nickel-chrome plated)	
4	2	Ball seat		PTFE	
5	1	Stem		Brass	
6	2	O-ring		NBR	
7	1	Nut		Galvanized steel	
8	1	Thrust washer		Polyethylene	
9	1	Handle		Galvanized steel	
10	1	Handle's cover		PVC	

Lockable Gas Ball Valve / Kitlenebilir Küresel Gaz Vanaları



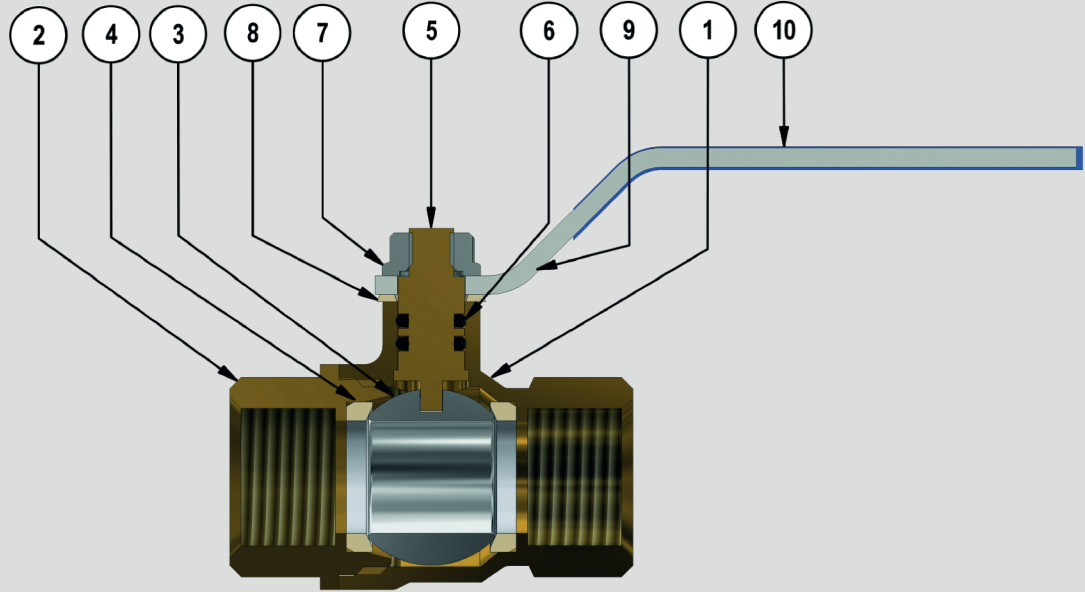
PARTS LIST					
ITEM	QTY	PART NAME		MATERIAL	
1	1	Body		Brass	
2	1	Body cap		Brass	
3	1	Ball		Brass (Nickel-chrome plated)	
4	2	Ball seat		PTFE	
5	1	Stem		Brass	
6	2	O-ring		NBR	
7	1	Screw		Steel	
8	1	Handle		Zamak	

Gas Ball Valve Extended Stel / Küresel Gaz Vanası Genişletilmiş Tip



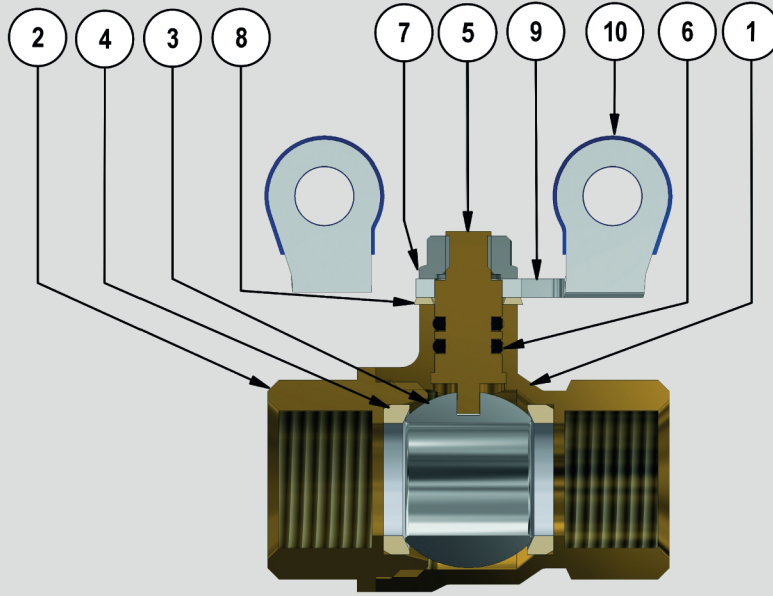
PARTS LIST					
ITEM	QTY	PART NAME		MATERIAL	
1	1	Body		Brass	
2	1	Body cap		Brass	
3	1	Ball		Brass (Nickel-chrome plated)	
4	2	Ball seat		PTFE	
5	1	Stem		Brass	
6	1	Stem protector		Brass	
7	2	O-ring		NBR	
8	1	Nut		Galvanized steel	
9	1	Thrust washer		Polyethylene	
10	1	Handle		Galvanized steel	
11	1	Handle's caver		PVC	

Water Ball Valve / Küresel Su Vanası



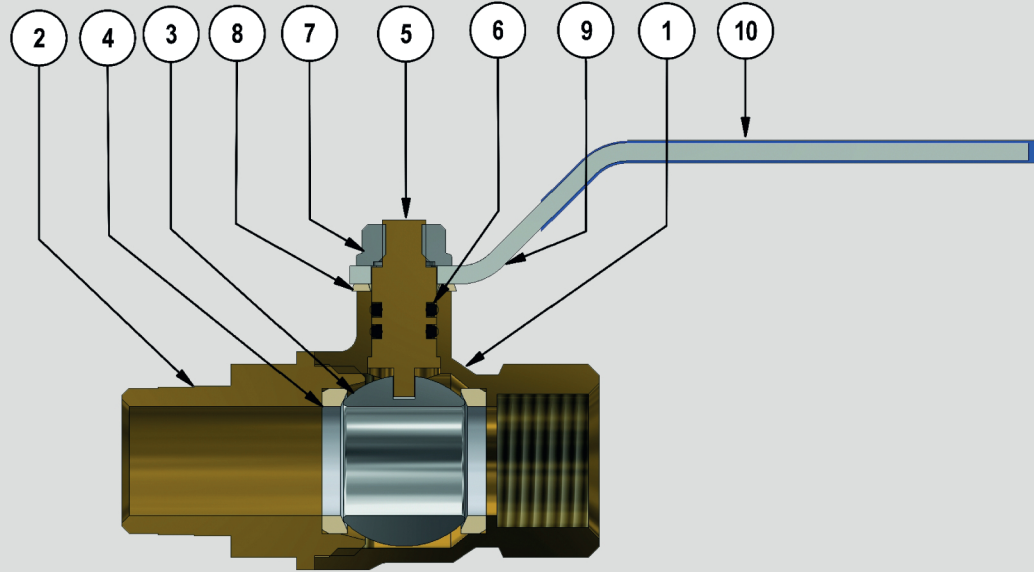
PARTS LIST					
ITEM	QTY	PART NAME		MATERIAL	
1	1	Body		Brass	
2	1	Body cap		Brass	
3	1	Ball		Brass (Nickel-chrome plated)	
4	2	Ball seat		PTFE	
5	1	Stem		Brass	
6	2	O-ring		NBR	
7	1	Nut		Galvanized steel	
8	1	Thrust washer		Polyethylene	
9	1	Handle		Galvanized steel	
10	1	Handle's cover		PVC	

Water Ball Valve T-Handle / Küresel Su Vanası



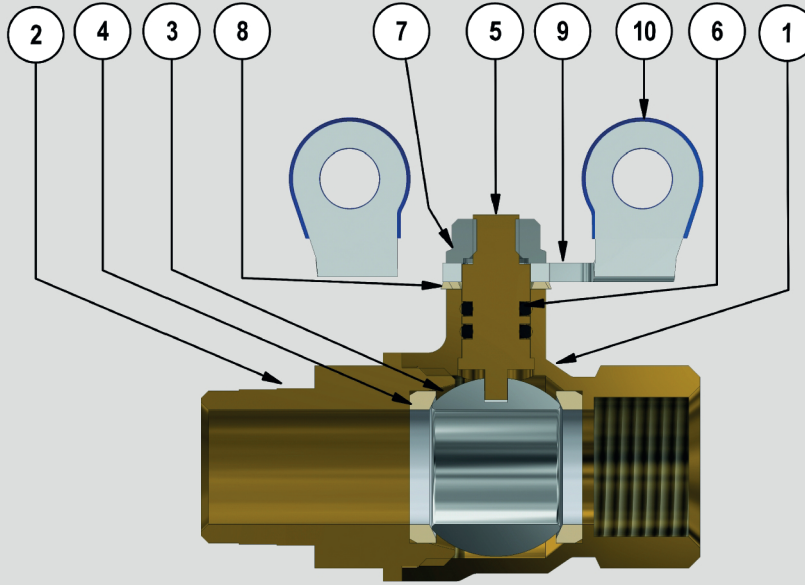
PARTS LIST					
ITEM	QTY	PART NAME		MATERIAL	
1	1	Body		Brass	
2	1	Body cap		Brass	
3	1	Ball		Brass (Nickel-chrome plated)	
4	2	Ball seat		PTFE	
5	1	Stem		Brass	
6	2	O-ring		NBR	
7	1	Nut		Galvanized steel	
8	1	Thrust washer		Polyethylene	
9	1	Handle		Galvanized steel	
10	1	Handle's cover		PVC	

Male to Female Water Ball Valve T-Handle / Küresel Su Vanası



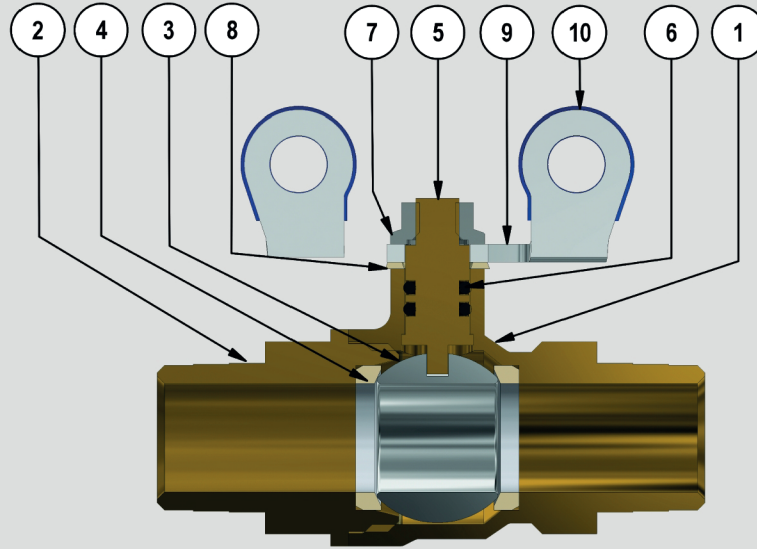
PARTS LIST					
ITEM	QTY	PART NAME		MATERIAL	
1	1	Body		Brass	
2	1	Body cap		Brass	
3	1	Ball		Brass (Nickel-chrome plated)	
4	2	Ball seat		PTFE	
5	1	Stem		Brass	
6	2	O-ring		NBR	
7	1	Nut		Galvanized steel	
8	1	Thrust washer		Polyethylene	
9	1	Handle		Galvanized steel	
10	1	Handle's cover		PVC	

Male to Female Water Ball Valve T-Handle / Küresel Su Vanası



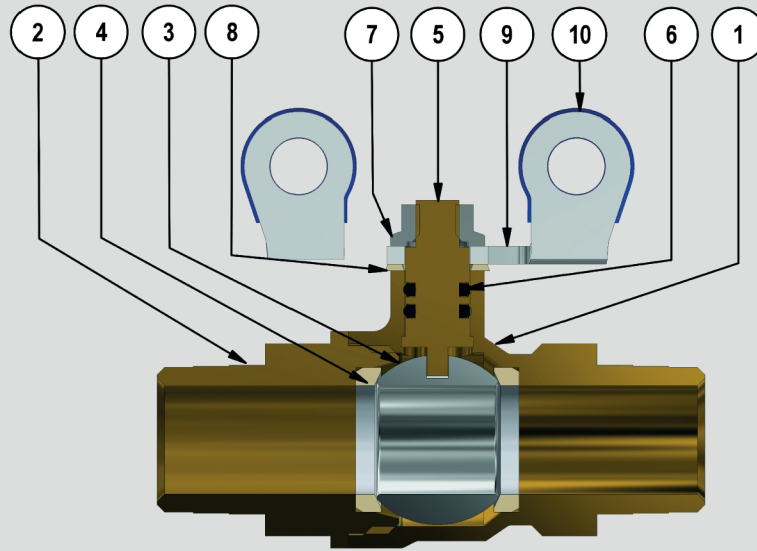
PARTS LIST					
ITEM	QTY	PART NAME		MATERIAL	
1	1	Body		Brass	
2	1	Body cap		Brass	
3	1	Ball		Brass (Nickel-chrome plated)	
4	2	Ball seat		PTFE	
5	1	Stem		Brass	
6	2	O-ring		NBR	
7	1	Nut		Galvanized steel	
8	1	Thrust washer		Polyethylene	
9	1	Handle		Galvanized steel	
10	1	Handle's cover		PVC	

Male to Female Water Ball Valve T-Handle / Küresel Su Vanası



PARTS LIST					
ITEM	QTY	PART NAME		MATERIAL	
1	1	Body		Brass	
2	1	Body cap		Brass	
3	1	Ball		Brass (Nickel-chrome plated)	
4	2	Ball seat		PTFE	
5	1	Stem		Brass	
6	2	O-ring		NBR	
7	1	Nut		Galvanized steel	
8	1	Thrust washer		Polyethylene	
9	1	Handle		Galvanized steel	
10	1	Handle's cover		PVC	

Male to Female Water Ball Valve T-Handle / Küresel Su Vanası



PARTS LIST					
ITEM	QTY	PART NAME		MATERIAL	
1	1	Body		Brass	
2	1	Body cap		Brass	
3	1	Ball		Brass (Nickel-chrome plated)	
4	2	Ball seat		PTFE	
5	1	Stem		Brass	
6	2	O-ring		NBR	
7	1	Nut		Galvanized steel	
8	1	Thrust washer		Polyethylene	
9	1	Handle		Galvanized steel	
10	1	Handle's cover		PVC	

PAYVA
dış ticaret